

# Specifications

## Description

hot dog steamer will steam your hot dogs and buns to perfection every time! The body and lids are constructed of stainless steel and comes with tempered front and rear glass for showcasing. This unit fits 100 standard size hot dogs and 36-48 buns. Steam all day with a 6 quart capacity water pan and adjustable thermostat. The top loading design allows for quick and easy access to the contents. Comes equipped with a front valve drain for easy refilling and disposing of water. 120V, 1200W, 10 Amps and a NEMA 5-15 plug. This item is backed by 1 year replace or repair warranty.

## Construction

- Body and lids are constructed of heavy duty stainless steel
- Full view tempered glass on both the operator's and customer's side for merchandising
- Separate hot dog and bun compartment allows the user to control the level of steaming on each side
- Top loading design allows for easy and safe access to your hot dogs and buns

## Capacity

- Steams and cooks up to 100 standard sized hot dogs at one time
- Hot dog compartment is 6"W x 12"D x 8"H
- The bun compartment is 11"W x 12"D x 8"H and can hold 36-48 buns
- Water pan holds up to 6 quarts of water for all day steaming

## Operation

- Heating system can cook the hot dogs in 20 minutes
- Temperature range of 80°F-185°F
- Humidity control system in bun compartment keeps buns fresh while your hot dogs steam

## Electrical

- 120V, 1200W, 10 Amps
- 4' power cord with NEMA 5-15 plug

## Features

- Bright and attractive graphics on both sides help get impulse buys
- Front drain and plug for easy disposal of water
- Bakelite knobs on top of the lids for safe opening
- Lighted power switch

# Hot Dog Steamer - Top Loading w/Bun Compartment



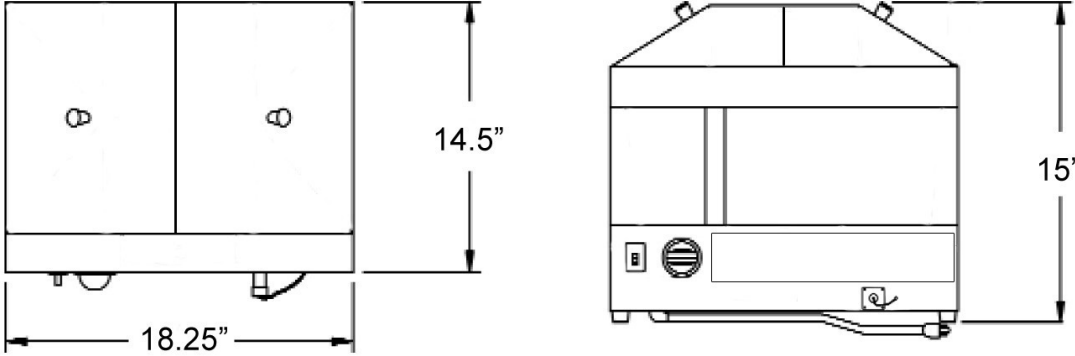
## Certifications/Approvals




**Warranty:** This product is protected by Admiral Craft Equipment Corporation's one year limited warranty. Should your product fail under normal



**Plan View**



**Specifications**

Item Number	Description	Volts	Watts	Amps	NEMA Plug
	Hot Dog Steamer	120V	1200W	10	5-15P 

**Shipping Info**

Item Number	Box Dimensions	Item Dimensions	Gross Weight	Net Weight
	21"W x 18"D x 18"H	18.25"W x 14.5"D x 15"H	22 lbs	30 lbs